

# cim 61 CRNL



Valvola obliqua in lega "CR" CW511-L **SENZA PIOMBO** con valvola di non ritorno a molla - PN 20  
**Oblique valve NO LEAD "CR" CW511-L alloy with spring-loaded non return valve - PN 20**

"CR"-SCC - RESISTENTE ALLA DEZINCIFICAZIONE E TENSOCORROSIONE

"CR"-SCC - DEZINCIFICATION AND STRESS CORROSION CRACKING RESISTANT

DN	3/8"	1/2"	3/4"	1"	1 1/4"	1 1/2"	2"	2 1/2"	3"	4"
€								-	-	-
Box	25	25	15	10	6	4	2	-	-	-
Cart.	100	100	60	40	24	16	8	-	-	-

# cim 62 CRNL



Valvola obliqua in lega "CR" CW511-L **SENZA PIOMBO** con valv. non rit. a molla e rubin. scarico e tappo - PN 20  
**Oblique valve NO LEAD "CR" CW511-L alloy with spring loaded non return valve and drain cock and plug - PN 20**

"CR"-SCC - RESISTENTE ALLA DEZINCIFICAZIONE E TENSOCORROSIONE

"CR"-SCC - DEZINCIFICATION AND STRESS CORROSION CRACKING RESISTANT

DN	3/8"	1/2"	3/4"	1"	1 1/4"	1 1/2"	2"	2 1/2"	3"	4"
€								-	-	-
Box	25	25	15	10	6	4	2	-	-	-
Cart.	100	100	60	40	24	16	8	-	-	-

# cim 73 CRNL



Valvola obliqua in lega "CR" CW511-L **SENZA PIOMBO** - PN 20  
**Oblique valve NO LEAD "CR" CW511-L alloy - PN 20**

"CR"-SCC - RESISTENTE ALLA DEZINCIFICAZIONE E TENSOCORROSIONE

"CR"-SCC - DEZINCIFICATION AND STRESS CORROSION CRACKING RESISTANT

**BRONZO / BRONZE**

DN	3/8"	1/2"	3/4"	1"	1 1/4"	1 1/2"	2"	2 1/2"	3"	4"
€										
Box	25	25	15	10	6	4	2	2	1	1
Cart.	100	100	60	40	24	16	8	4	2	2

# cim 74 CRNL



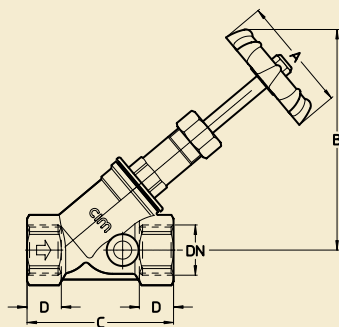
Valvola obliqua in lega "CR" CW511-L **SENZA PIOMBO** con rubinetto di scarico e tappo - PN 20  
**Oblique valve NO LEAD "CR" CW511-L alloy with drain and plug - PN 20**

"CR"-SCC - RESISTENTE ALLA DEZINCIFICAZIONE E TENSOCORROSIONE

"CR"-SCC - DEZINCIFICATION AND STRESS CORROSION CRACKING RESISTANT

**BRONZO / BRONZE**

DN	3/8"	1/2"	3/4"	1"	1 1/4"	1 1/2"	2"	2 1/2"	3"	4"
€										
Box	25	25	15	10	6	4	2	2	1	1
Cart.	100	100	60	40	24	16	8	4	2	2



DN	Cim 61 CR NL					Cim 62 CR NL					Cim 73 CR NL					Cim 74 CR NL				
	Grms.	A	B	C	D	Grms.	A	B	C	D	Grms.	A	B	C	D	Grms.	A	B	C	D
3/8"	275	55	83	55	10	315	55	83	55	10	290	55	83	55	10	330	55	83	55	10
1/2"	315	55	85	59	12	355	55	85	59	12	330	55	85	59	12	370	55	85	59	12
3/4"	480	60	99	68	12,5	520	60	99	68	12,5	470	60	99	68	12,5	510	60	99	68	12,5
1"	760	65	115,5	76	13,5	810	65	115,5	76	13,5	690	65	115,5	76	13,5	760	65	115,5	76	13,5
1 1/4"	1100	75	134	92	16	1160	75	134	92	16	1090	75	134	92	16	1160	75	134	92	16
1 1/2"	1280	80	146	100	16	1350	80	146	100	16	1350	80	146	100	16	1390	80	146	100	16
2"	2330	90	180	125	19	2380	90	180	125	19	2370	90	180	125	19	2430	90	180	125	19
2 1/2"	-	-	-	-	-	-	-	-	-	-	3970	120	225	148	22	4250	120	225	148	22
3"	-	-	-	-	-	-	-	-	-	-	5860	140	264	175	24	6250	140	264	175	24
4"	-	-	-	-	-	-	-	-	-	-	10870	175	314	217	25	10940	175	314	217	25